

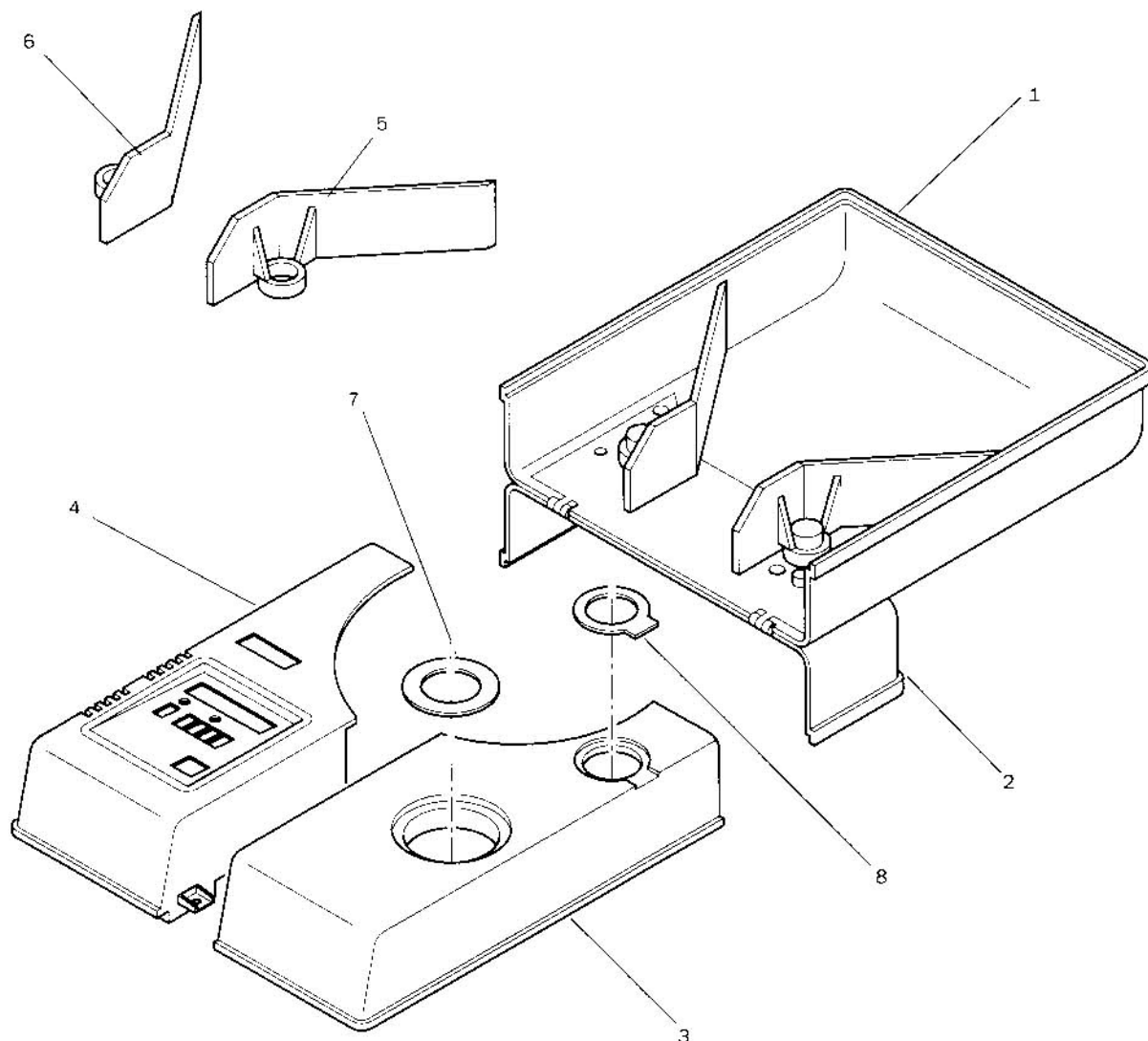
# CHAPTER 8

## Spare Parts

This chapter contains lists of spare parts and diagrams showing the parts and their locations in the machine.

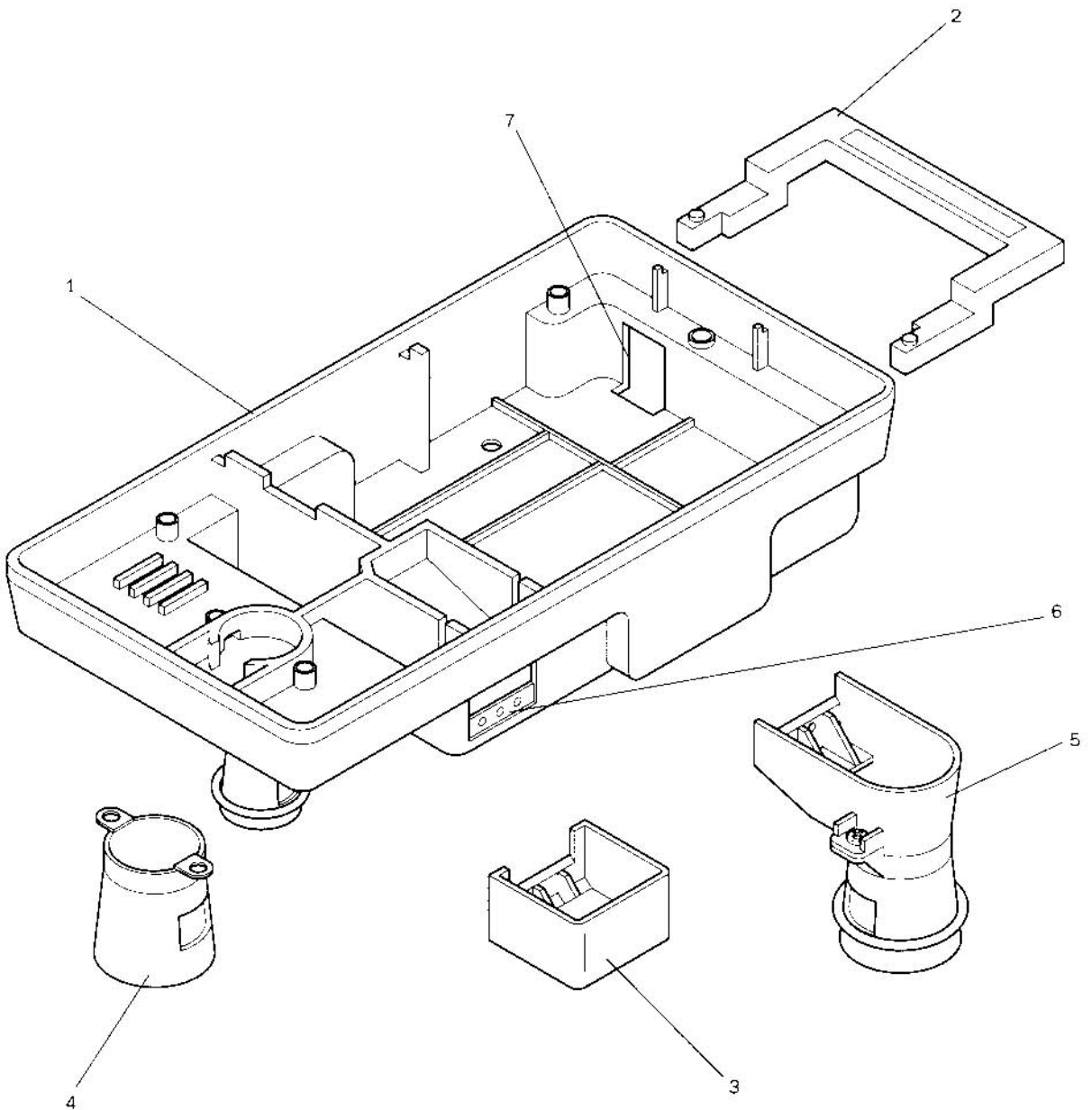
### Top Covers

Item	Description	Part No.
1	Top cover	013279-000
2	Rear cover	013280-000
3	Right hand cover	013283-000
4	Left hand cover	013282-000
5	Left hand slide	013296-000
6	Right hand slide	013297-000
7	Diameter scale (standard)	013298-000
8	Thickness scale (standard)	013299-000



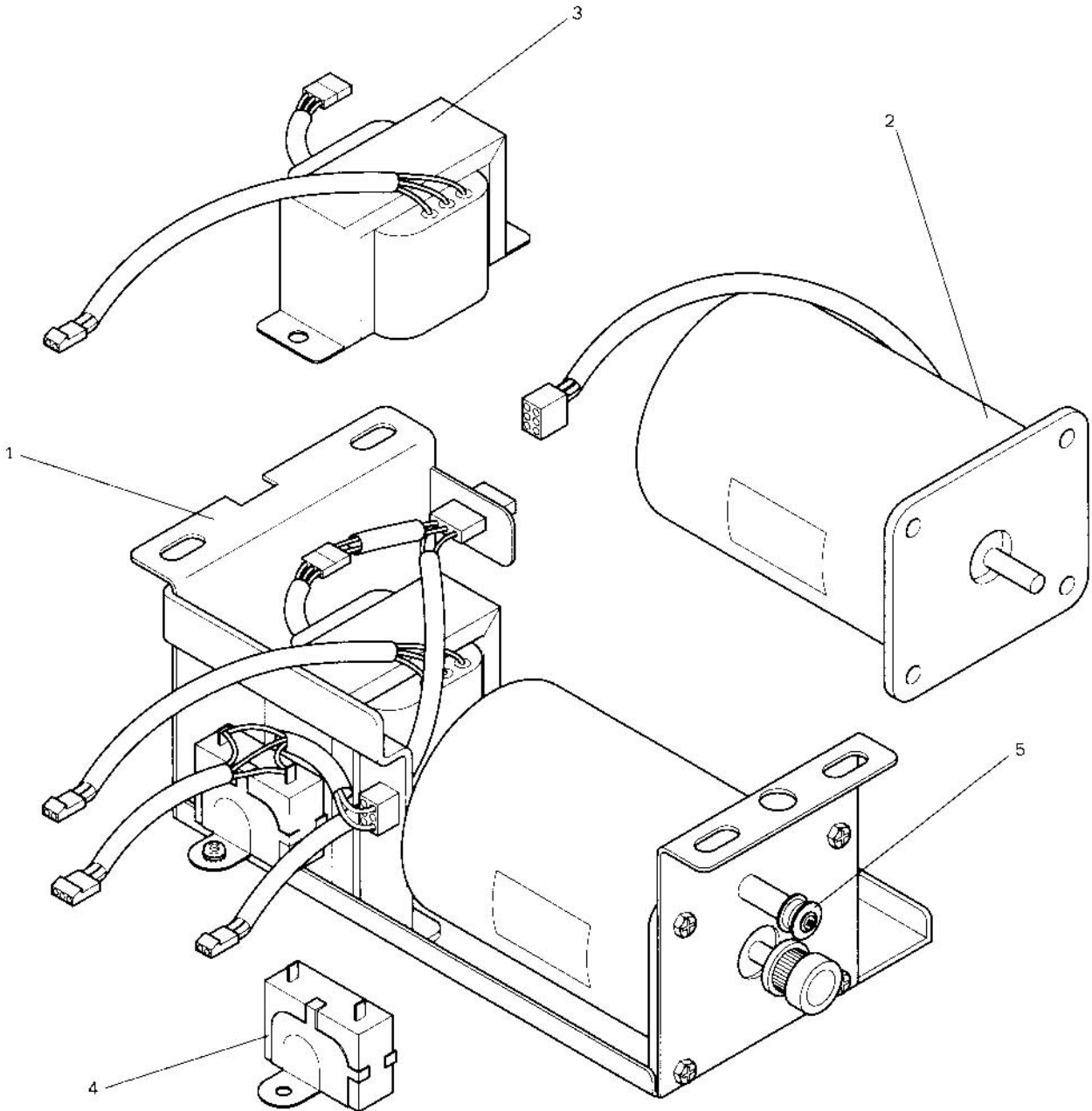
## Bottom Cover Assembly

Item	Description	Part No.
1	Bottom cover	013281-000
2	Handle	013278-000
3	Reject cup	013284-000
4	Lower outlet	013300-000
5	Side bag holder BA3	011611-000
6	Outlet plates complete	013471-000
7	Power inlet	013492-000



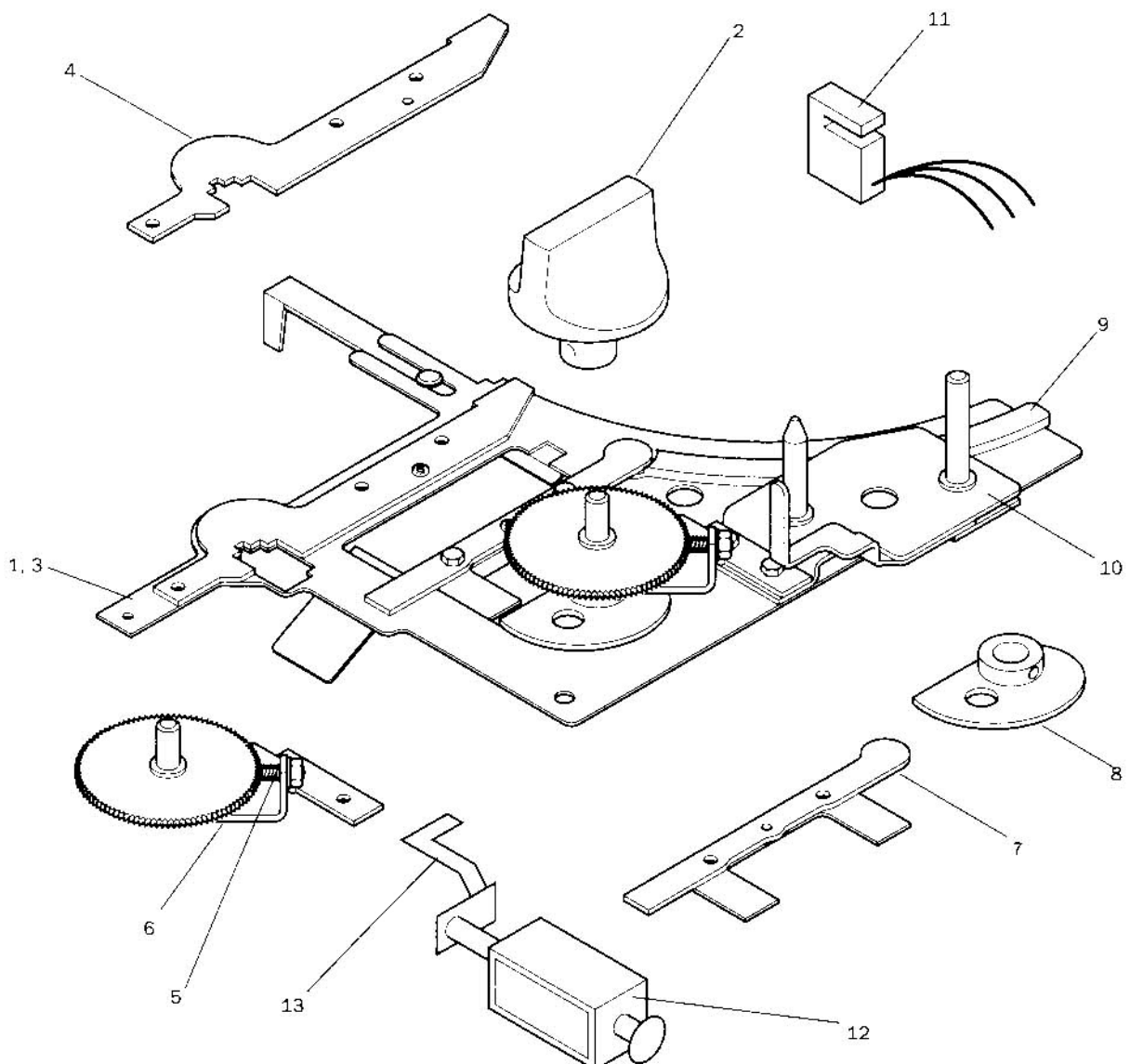
## Motor Assembly

Item	Description	Part No.
1	Complete assembly 220/240 V	013301-000
	Complete assembly 120 V	013302-000
2	Motor 220/240 V	013273-000
	Motor 120 V	013275-000
3	Transformer 220/240 V	013303-000
	Transformer 120 V	013304-000
4	Capacitor 4 $\mu$ F	013305-000
	Capacitor 1.2 $\mu$ F	013306-000
5	Idle wheel mechanism	013561-000



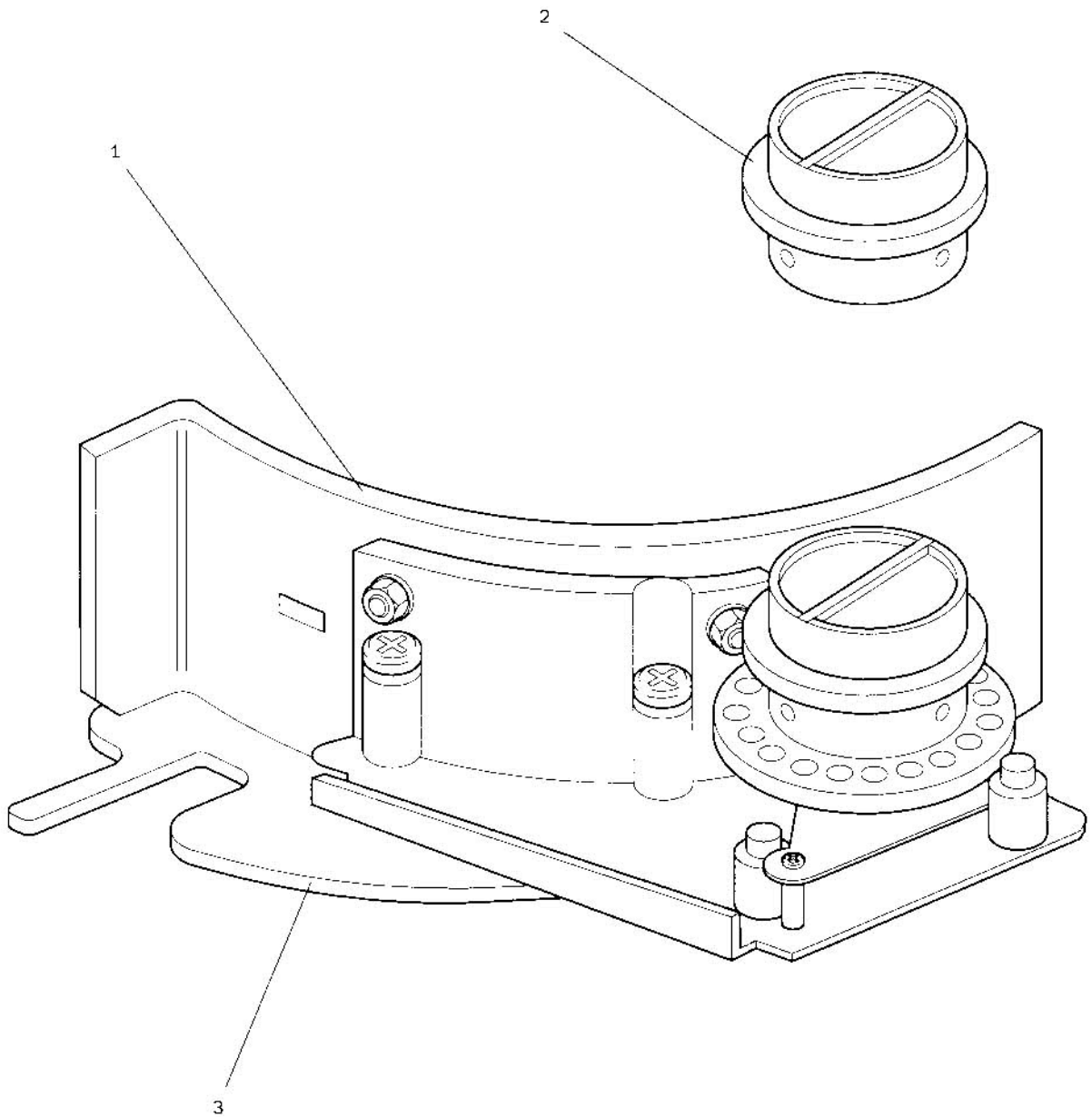
## Main Plate Assembly

Item	Description	Part No.
1	Main plate assembly	013478-000
2	Diameter knob	013420-000
3	Main plate only	013479-000
4	Left sorting guide 1.2 mm (standard)	013475-000
	Left sorting guide 2.2 mm	013475-001
	Left sorting guide 1.0 mm	013475-002
5	Spring plunger	013560-000
6	Ratchet arm	013288-100
7	Right sorting rail 1.2 mm (standard)	013289-000
	Right sorting rail 2.2 mm	013289-001
	Right sorting rail 1.0 mm	013289-002
8	Cam	013290-000
9	Coin guide plate	013309-000
10	Thickness block post	013311-000
11	Sensor	013450-000
12	Solenoid	013451-000
13	Solenoid arm	013566-000



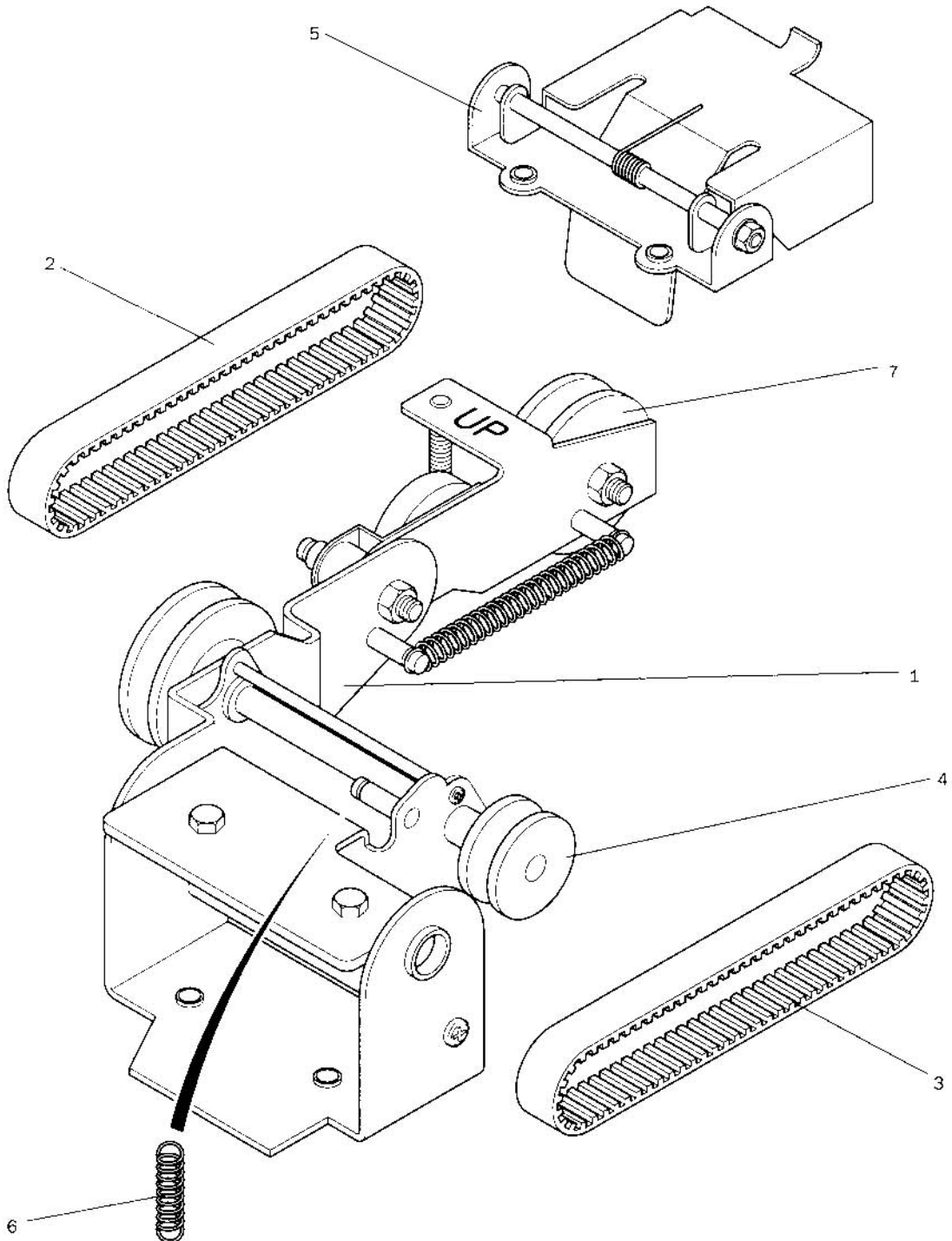
## Thickness Guide Block

Item	Description	Part No.
1	Thickness guide block	013272-000
2	Thickness knob	013286-000
3	Bottom plate	013312-000



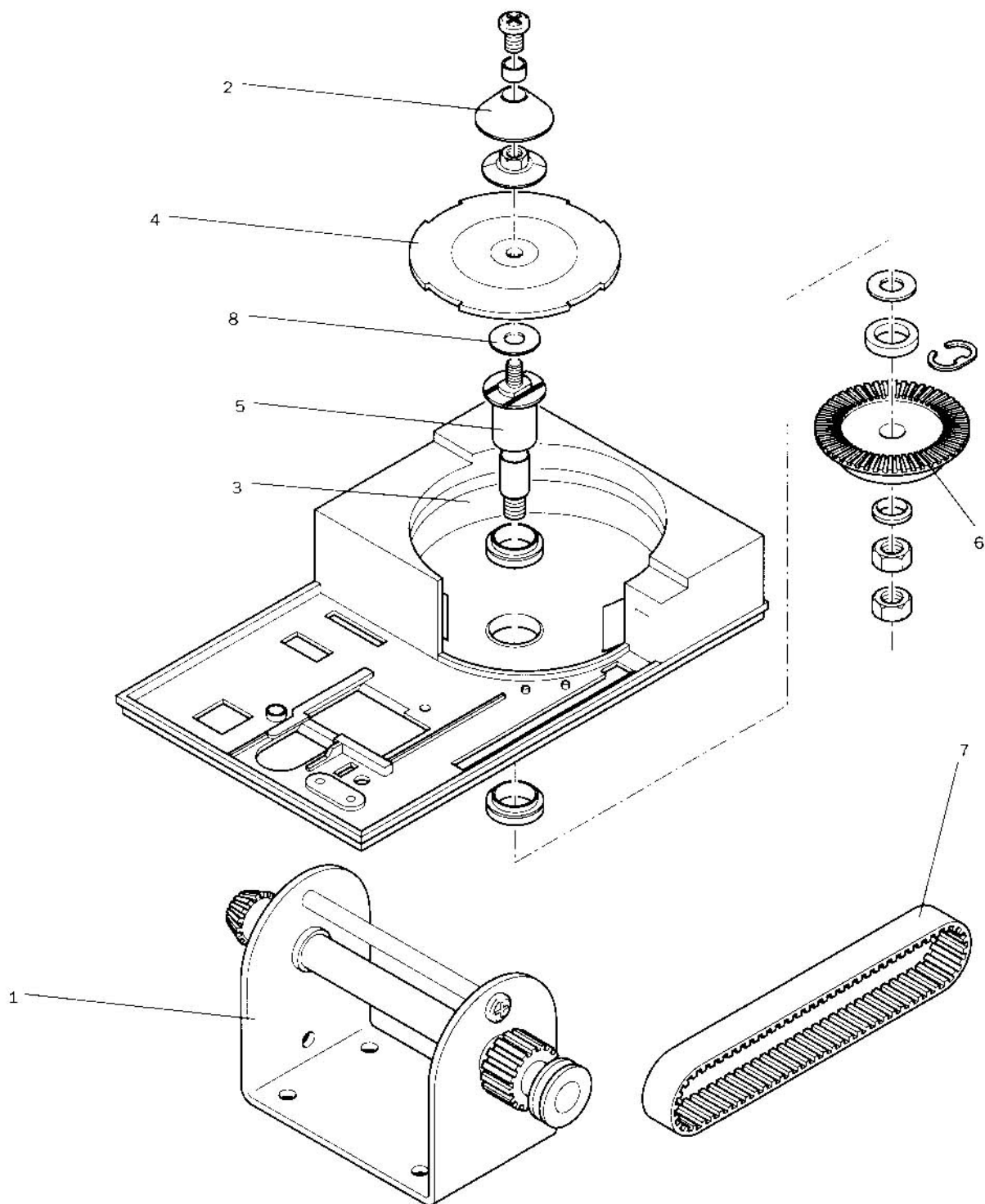
# Feed Mechanism Assembly

Item	Description	Part No.
1	Feed mechanism assembly	013480-000
2	Out-feed belt	013266-000
3	Channel drive belt	013267-000
4	Pulley 220 V, 50 Hz	013322-000
	Pulley 120 V, 60 Hz	013323-000
5	Sorting chute	013293-000
6	Spring	013449-000
7	Pulley	013470-000



# Drive Assembly

Item	Description	Part No.
1	Drive assembly	013317-000
2	Cone	013324-000
3	Steel border	013325-000
4	Coin disc	013269-000
5	Shaft	013326-000
6	Helical gear	013327-000
7	Belt	013268-000
8	Washer	013448-000



# SC 313 Hopper Unit

Item	Description	Part No.
1	Main plates complete	013587-000
2	Belt	013456-000
3	Bearing	013457-000
4	Cone	013462-000
5	Stop plate	013461-000
6	Coin disc	013460-000
7	Bushing, upper	013455-000
8	Bushing, lower	013481-100
9	Control PCB	011702-001
10	Coin level sensor	013464-000
11	Motor 110/220 V	013458-000
12	Hopper cover	013465-000 (not shown)
13	Insulation cover PCB	013467-000 (not shown)

**NOTE:**  
Scan Coin recommends that you do not replace items 2 to 8 yourself. If these parts must be replaced, use item 1, as some of these parts may not be interchangeable with the early SC 313 hoppers and re-assembly may be difficult.

Only used with revisions 1, 2 and 3.

